

BAT-LEAD-6V7AH-WL (6V7.0Ah/20hr)

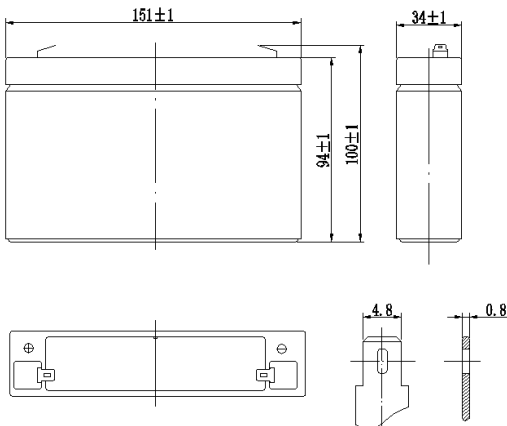


General Series

General Series Valve Regulated Lead Acid batteries are designed with AGM (Absorbent Glass Mat) technology, high performance plates and electrolyte to gain extra power output for common power backup system applications widely used in the field of UPS, Emergency Lighting System.

Application

- Alarm System
- Cable Television
- Power tools
- Emergency Power System
- Security System
- Solar
- Medical Equipment
- UPS
- Communication Equipment
- Control Equipment
- Toys



General Features

- Sealed and maintenance free operation.
- Non-Spillable construction design.
- ABS containers and covers(UL94HB, UL94V-0) optional.
- Safety valve installation for explosion proof .
- High quality and high reliability.
- Exceptional deep discharge recovery performance.
- Low self discharge characteristic.
- Flexibility design for multiple install positions.

CONSTRUCTION

Component	Positive plate	Negative plate	Container	Cover	Safety valve	Terminal	Separator	Electrolyte
Raw material	Lead dioxide	Lead	ABS	ABS	Rubber	Copper	Fiberglass	Sulfuric acid

TECHNOLOGY PARAMETER

Battery model	BAT-LEAD-6V7AH-WL			
Designed Floating Life	3~5 Years			
Capacity (25 °C)	20hR(0.35A, 5.25V)	10hR(0.683A,5.25V)	5hR(1.16A, 5.25V)	1hR(4.6A, 4.80V)
	7.0Ah	6.83Ah	5.8Ah	4.6Ah
Dimensions	Length	Width	Height	Total Height
	151±1mm	34±1mm	94±1mm	100±1mm
Approx. weight (±5%)	1.0Kg (2.21 lbs)			
Internal resistance	Full charged at 25°C Approx . 14mOhms			
Self discharge	3% of capacity declined per month at 25 °C (average)			
Capacity Affected by Temp.(20HR)	40 °C	25 °C	0 °C	-15 °C
	102%	100%	85%	65%
Charge Voltage (25 °C)	Cycle use			Float use
	7.2-7.5V(-15mV/°C), max. Current: 2.1A			6.75-6.9V(-10mV/°C)

BAT-LEAD-6V7AH-WL (6V7.0Ah/20hr)

Constant current discharge ratings-amperes at 25 °C

End Point Volts/Cell	5min	10min	15min	30min	1h	3h	5h	10h	20h
1.60V	24.9	17.4	13.3	7.47	4.60	1.93	1.26	0.718	0.368
1.65V	23.6	16.6	12.6	7.17	4.52	1.87	1.23	0.705	0.359
1.70V	22.2	15.7	12.0	6.86	4.40	1.80	1.19	0.691	0.355
1.75V	20.8	14.8	11.3	6.52	4.22	1.73	1.16	0.683	0.350
1.80V	19.4	14.0	10.7	6.19	4.01	1.65	1.12	0.669	0.344

Constant power discharge ratings-watts at 25 °C

End Point Volts/Cell	5min	10min	15min	30min	1h	3h	5h	10h	20h
1.60V	46.0	32.2	24.7	14.0	8.65	3.65	2.39	1.37	0.71
1.65V	43.5	30.6	23.3	13.3	8.44	3.51	2.32	1.34	0.69
1.70V	40.7	28.8	22.0	12.7	8.19	3.37	2.24	1.31	0.67
1.75V	37.9	26.9	20.7	12.0	7.80	3.21	2.16	1.28	0.66
1.80V	35.0	25.2	19.3	11.3	7.34	3.03	2.07	1.24	0.64

