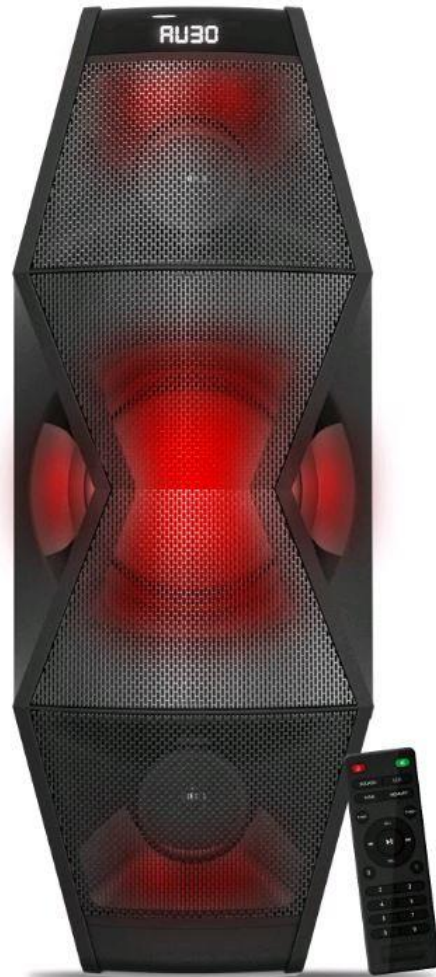


# USER MANUAL

Model: WHOOPEE

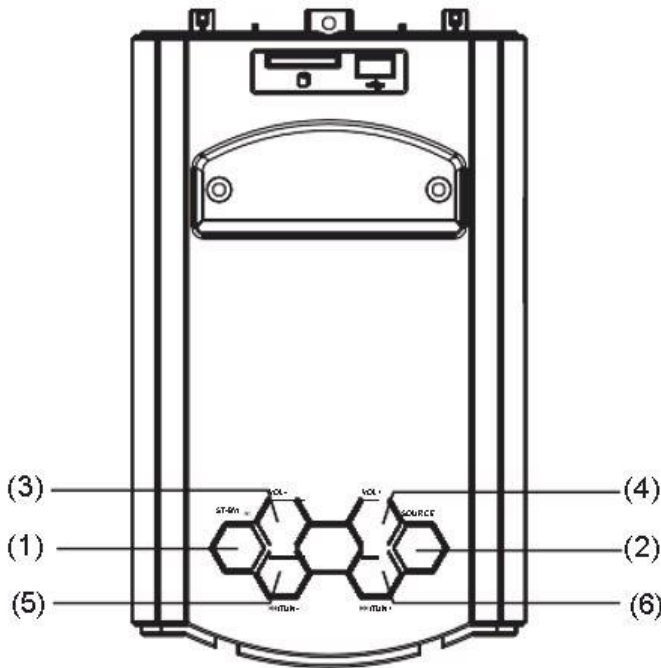


Thank you for choosing **WELL**. Please read carefully the following instructions and keep them within reach.

Preorder No: SPKR-BT-WHOOPEE-WL



## Front panel



1. ST-BY/PLAY/PAUSE
2. SOURCE
3. VOLUME-
4. VOLUME+
5. TUNING-/PREVIOUS
6. TUNING+/NEXT

ST-BY/PLAY/PAUSE

Press to turn on speaker, long press into stand-by. PLAY/PAUSE on the USB/SD/BT mode.

SOURCE -

Change the input mode.

VOLUME --

Volume down

VOLUME+-

Volume up.

TUNING+/NEXT

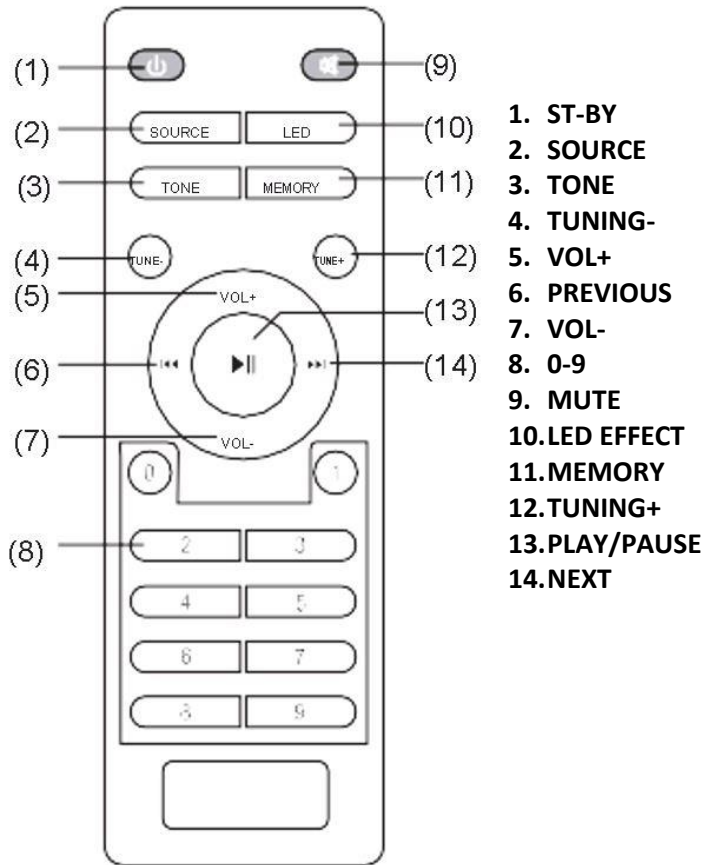
Press once to increase the FM frequency 0.1M, long press to the semi-automatic search for radio.

In USB/SD/BT mode, press " NEXT " play next song.

TUNING-/PREVIOUS

Press once to reduce the FM frequency 0.1M, long press to the semi-automatic search for radio. In USB/SD/BT mode, press " PREVIOUS " play previous song.

## How to use the remote control

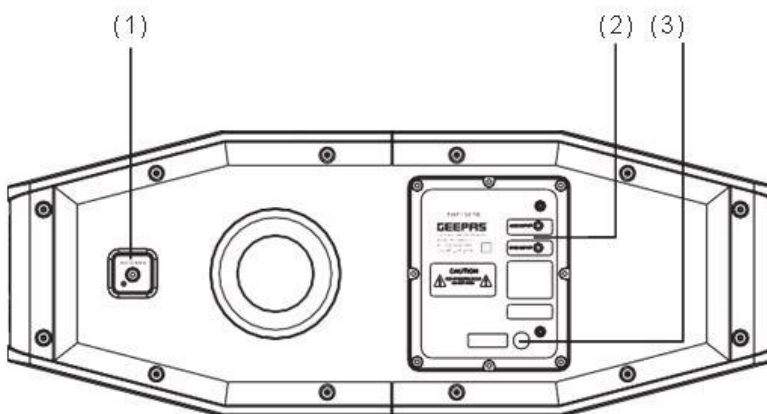


1. ST-BY
2. SOURCE
3. TONE
4. TUNING-
5. VOL+
6. PREVIOUS
7. VOL-
8. 0-9
9. MUTE
10. LED EFFECT
11. MEMORY
12. TUNING+
13. PLAY/PAUSE
14. NEXT

1. Press "ST-BY" LED showing "AU18", it is AUX mode playing state.
2. "MUTE" means to activate or deactivate mute.
3. "SOURCE" means you can choose AUX, DVD, USB/SD, FM, BL input mode, at the same time, the LED will show "Au18" means AUX mode, "Du18" means DVD mode. "87.5" means FM mode, "Bl18" means BL mode.
4. "TONE" means you can choose "TREBLE" and "BASS" "VOL+/-" means you can increase or decrease volume of "TREBLE" or "BASS".
5. When enter into FM mode, press "MEMORY" the number on the LED will Blink. This means the machine is under save channel state. You can change the blinking number by pressing "NEXT" or "PREV", press "PLAY/PAUSE" you can save the channel into same number. it will enter into automatic search channel and automatic save channel when pressing "MEMORY" for 3-5 seconds (noted: the channel which you saved before will be deleted when you press "MEMORY" for 3-5 seconds).

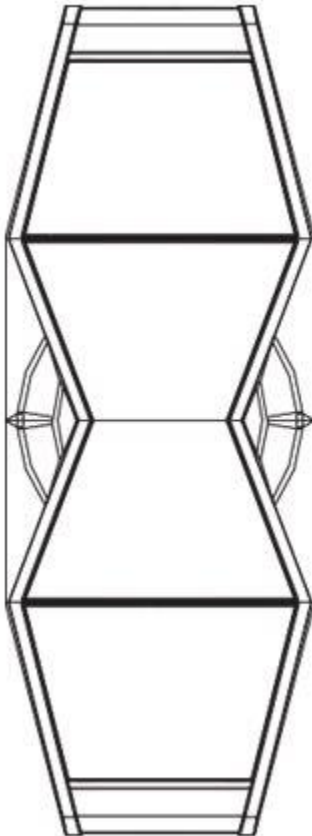
6. When entering into USB/SD mode. "NEXT" means next song; "PREV" means previous song; "PLAY/PAUSE" means play/pause; pressing the number "0-9" on the remote control, you can choose the corresponding song.
7. VOL+/- means you can increase or decrease volume.
8. "TUNING-" means decrease the frequency of channel selection. Press "TUNING-" for a long time means decrease the frequency of channel selection continuously
9. "TUNING+" means increase the frequency of channel selection. Press "TUNING+" for a long time means increase the frequency of channel selection continuously.
10. "PLAY/PAUSE" means play/pause for USB/SD.
11. "PREV" means previous song for USB/SD.
12. "NEXT" means next song for USB/SD.
13. Press "SOURCE" buttons on the remote to convert to Bluetooth input mode, LED display right bottom start to flashing (2 seconds) to search the Bluetooth device. Turn on your mobile Bluetooth device and search the device name "BT SPEAKER", paired them well. When you have successfully paired your mobile to the speaker system, the LED right bottom stop flashing. When start to play your mobile music, the LED flashed every one second. The functions as "PREVIOUS/NEXT", "PLAY/PAUSE", can operate via the front panel. On BL mode, when connecting with mobile, press "▶||" for 3 seconds, Bluetooth function can be force-disconnected .
14. Press "LED" each time to change LED effect(LED1-LED6-LEDF).

## Rear panel



1. ANTENNA
2. AUX/DVD IMPUT:  
Connect to sound sources such as computer, CD Player, Mp3, etc.
3. AC IN: AC Power cord

## System connection diagram



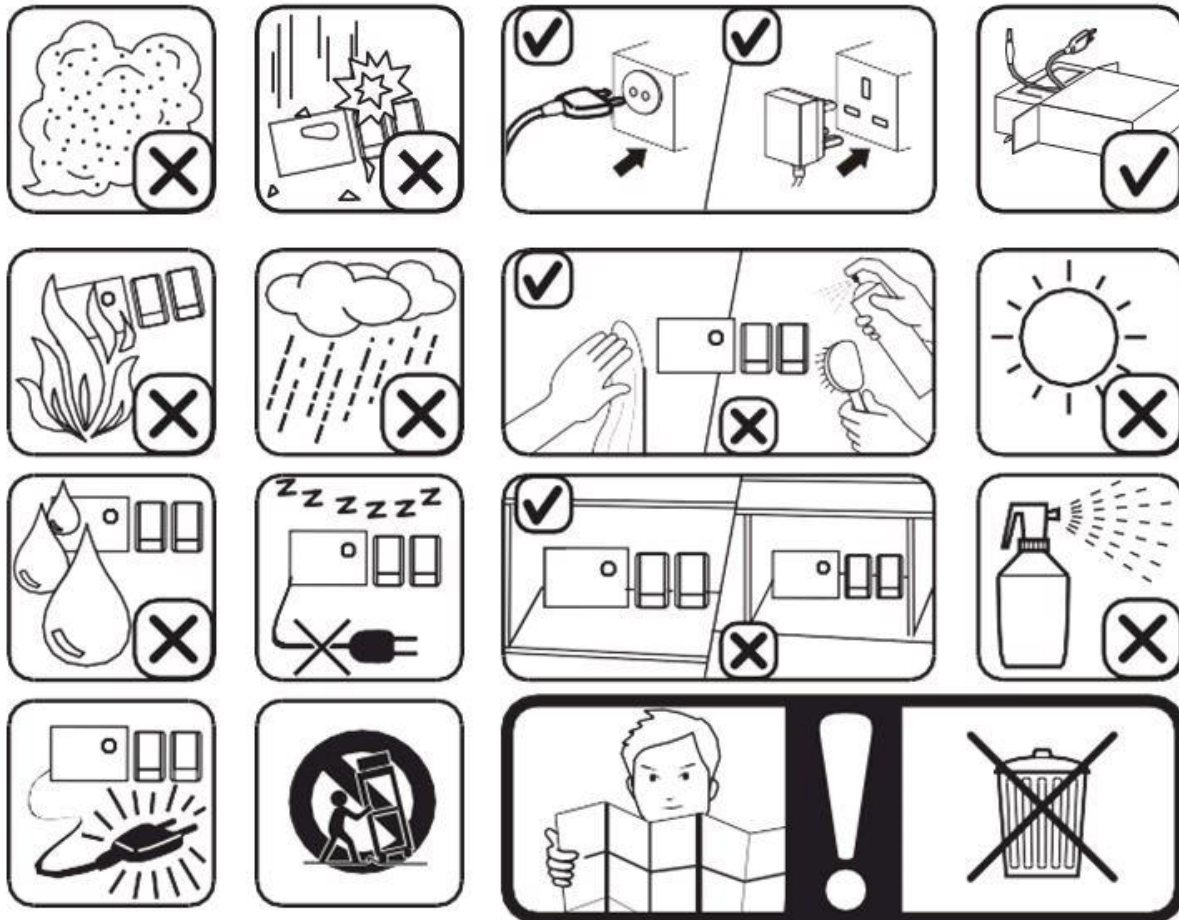
1. Connect the audio sources  
Connect the 3.5 stereo cable to the input of the subwoofer, Connect the 3.5 stereo input jack into output of the audio sources, such as MP3,MP4, Walkman, computer etc.
2. Power on the system, adjust the master volume to the suitable level. Adjust volume to the suitable to meet your different requirement.



### NOTE

\* Do not leave objects generating magnetism near the speakers.

In use please pay attention to the following items:



Waste electrical and electronic equipment are a special waste category, collection, storage, transport, treatment and recycling are important because they can avoid environmental pollution and are harmful to health. Submitting waste electrical and electronic equipment to special collection centers makes the waste to be recycled properly and protecting the environment. Do not forget! Each electric appliance that arrives at the landfill, the field, pollutes the environment!



**Importer & distributor:**

SC VITACOM ELECTRONICS SRL

CIF: RO 214527

Tel. 0264-438401\*

[sales@vitacom.ro](mailto:sales@vitacom.ro), [www.vitacom.ro](http://www.vitacom.ro)